

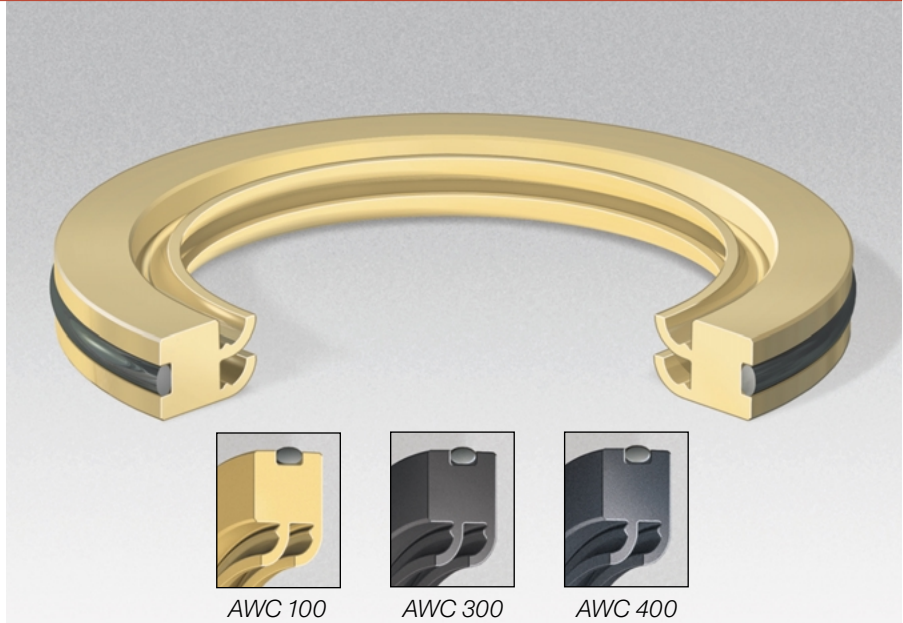
30K Rotary Seal

Bearing/Gear Box Protection

Product Data

Chesterton® 30K Rotary Seal provides excellent service in bearing and gear box applications that utilize conventional oil lip seals. The 30K is available in three distinct PTFE materials developed specifically for sealing applications. The PTFE compounds coupled with the seal design provide excellent fluid compatibility and outstanding performance.

- Each seal is individually machined, then the dynamic sealing lip is mechanically formed to provide optimal sealing force.
- The static o-ring seal prevents rotation and allows for easy installation and removal.
- Outperforms conventional oil lip seals.
- Does not fret or damage hardened shafts.
- Custom fabricated to meet equipment dimensions.
- Material is easily selected based on system fluid.

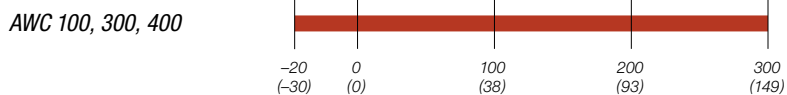


Material Selection & Typical Applications*

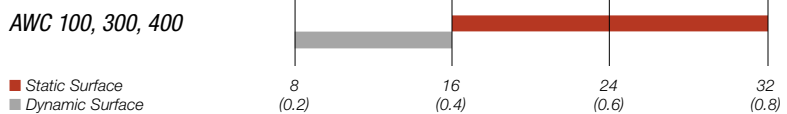
PTFE Compound	Dry	Water/Steam	Petroleum Based Liquids
AWC 100-Polyimide Filled	Excellent	—	Excellent-Low Viscosity
AWC 300-Moly & Glass Filled	Good	Good	Excellent-High Viscosity (>2,000 cp)
AWC 400-Carbon & Graphite Filled	Good	Excellent	Good

* Performance depends on concurrent conditions including shaft hardness, shaft surface roughness, material, lubrication, temperature and pressure.

Operating Temperature Range – °F (°C)



Recommended Surface Finishes – μ inch (μ m)



Recommended Mating Surface Hardness

AWC 100	AWC 300	AWC 400
>45 Rockwell C	>55 Rockwell C	>55 Rockwell C

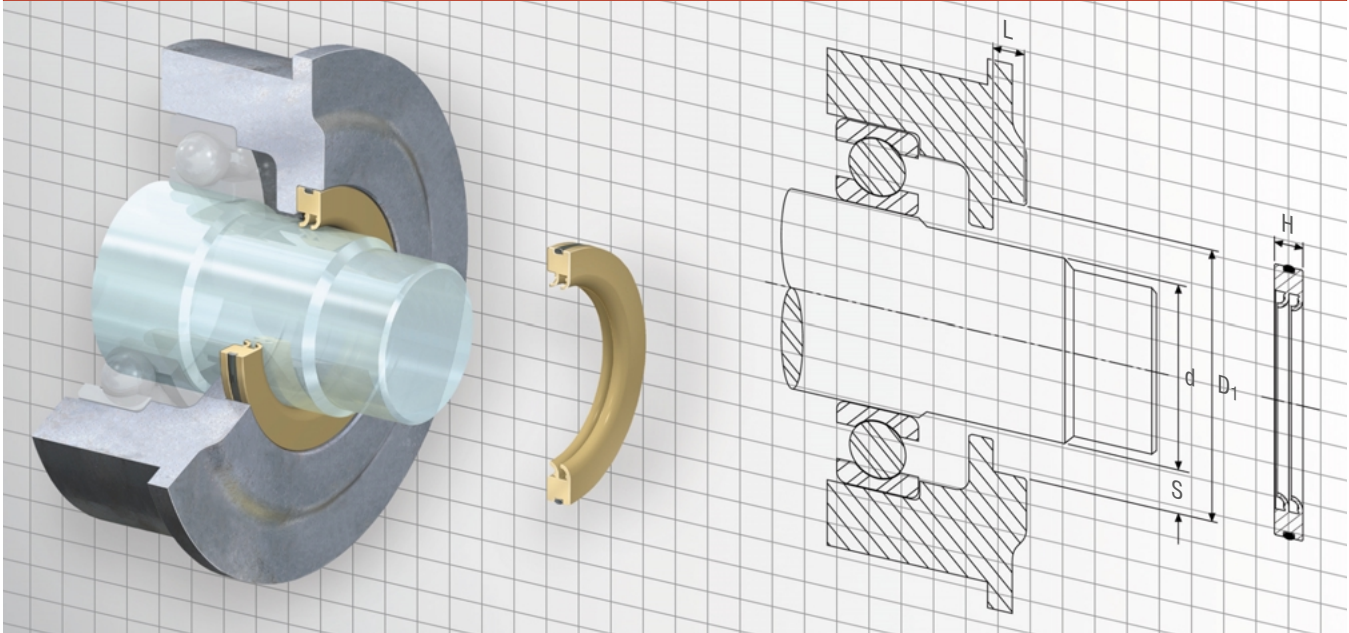
DELIVERY INFORMATION:

- Standard shipment – 10 days

30K Rotary Seal

Bearing/Gear Box Protection

Cross Sectional Drawing of Equipment



Technical Data

Designations:

Shaft diameter = d
 Equipment bore = D_1
 Seal width = H
 Groove height = L
 Cross section = S

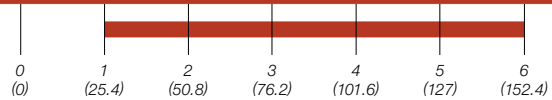
O-ring Material:

Fluoroelastomer

Available Seal Sizes

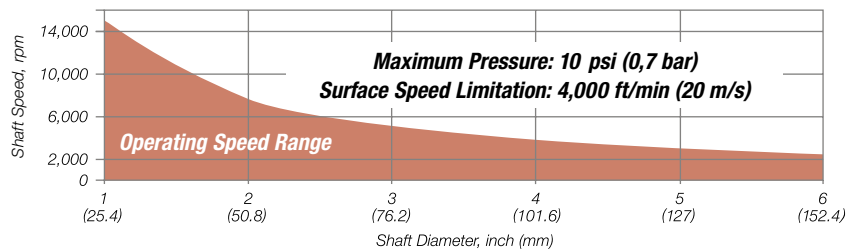
Shaft Diameter Range

AWC 100, 300, 400



Shaft Diameter	Equipment Cross Section (S)	Seal Width (H)
1.000 – 1.999 inch (25,4 – 50,77 mm)	0.250 – 0.500 inch (6,35 – 12,7 mm)	0.250 – 0.500 inch (6,35 – 12,7 mm)
2.000 – 3.999 inch (50,80 – 101,57 mm)	0.275 – 0.500 inch (6,96 – 12,7 mm)	0.250 – 0.500 inch (6,35 – 12,7 mm)
4.000 – 6.000 inch (101,60 – 152,40 mm)	0.289 – 0.500 inch (7,36 – 12,7 mm)	0.250 – 0.500 inch (6,35 – 12,7 mm)

Operating Parameters



How to place an order:

1. Choose material
2. List d , D_1 and L
3. Confirm S (see chart)
4. Contact Distributor to place order.